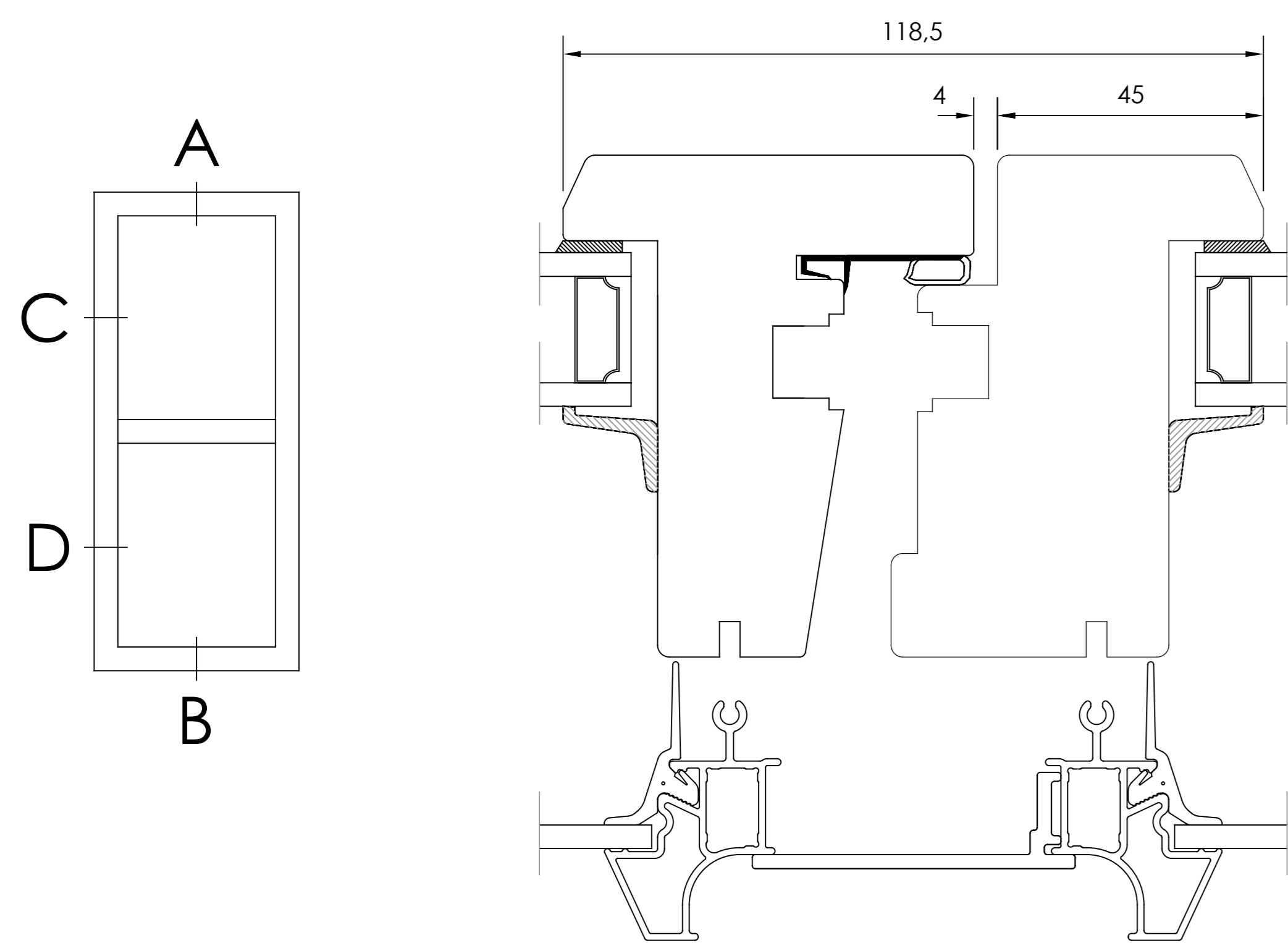
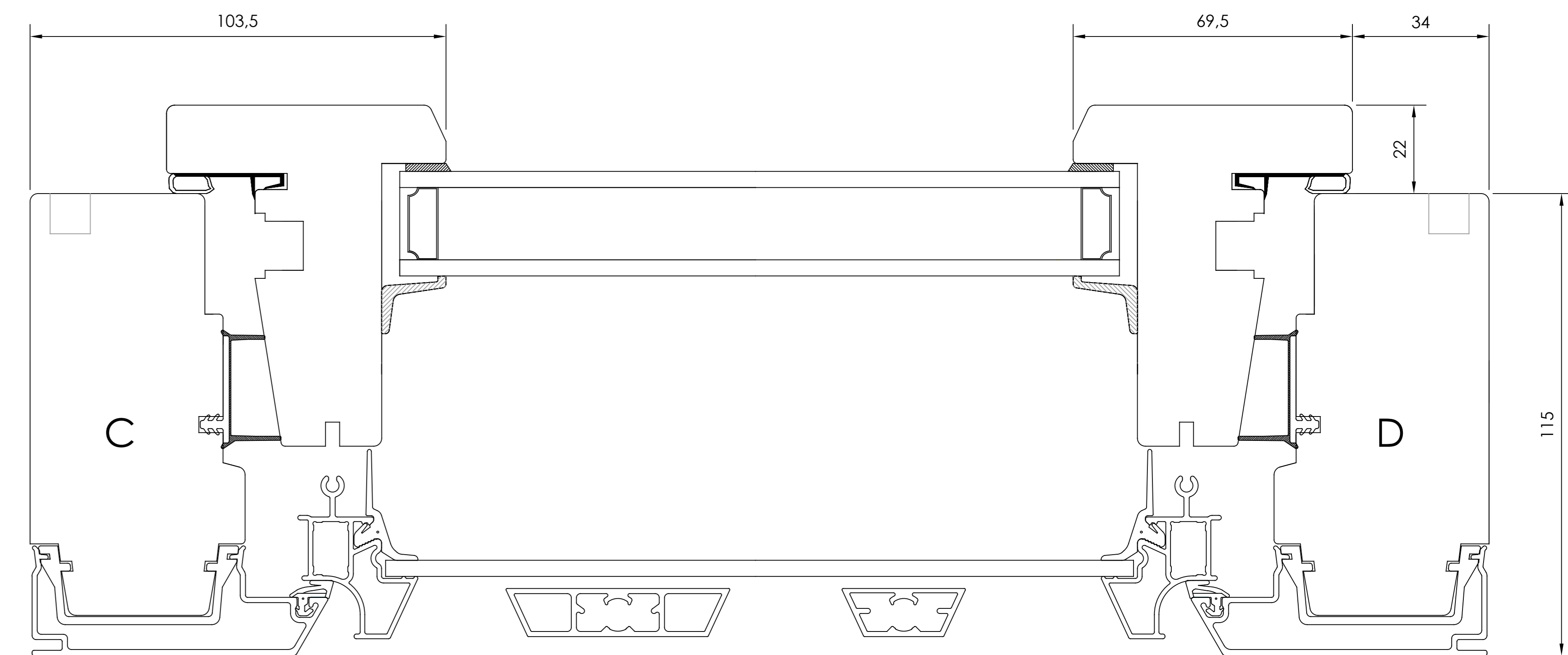


Upphovsrätten till detta dokument och alla bilagor anförs till mottagaren personligen, den förblir alltid Inwido AB:s (556633-3828) egendom. Att kopiera eller på annat sätt reproducera detta dokument till tredje part utan skriftligt tillstånd är strängt förbjudet.



HORIZONTAL CS OPTION
- Two horizontal abutting sashes.

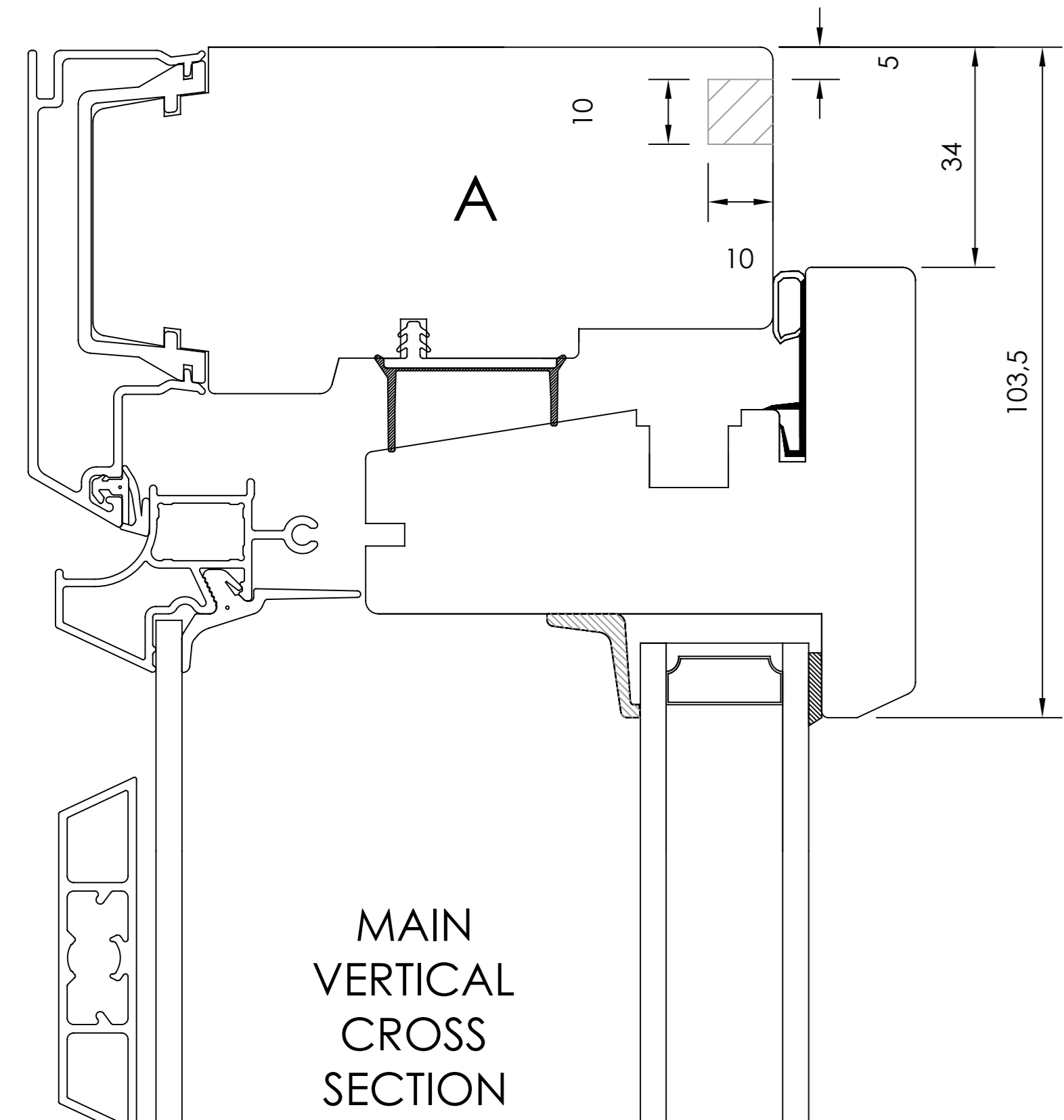
VARIANT, FITTINGS
- Exterior hinges.
- Exterior tilt before turn hinges (kipp-dreh).
- Internal hidden tilt before turn hinges (kipp-dreh).



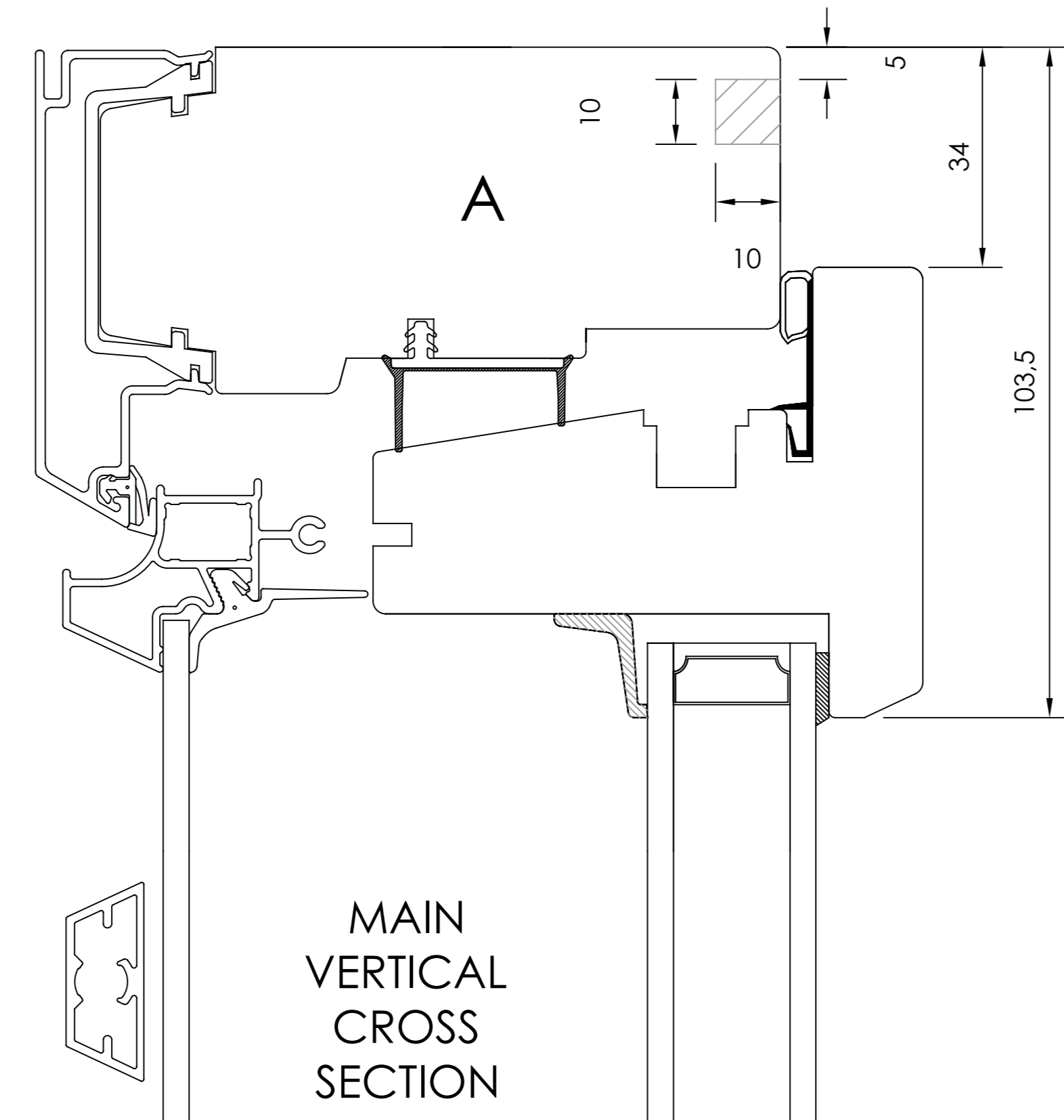
MAIN HORIZONTAL CROSS SECTION

ALL AROUND OPTION
- Internal slot (not for exterior kipp-dreh).

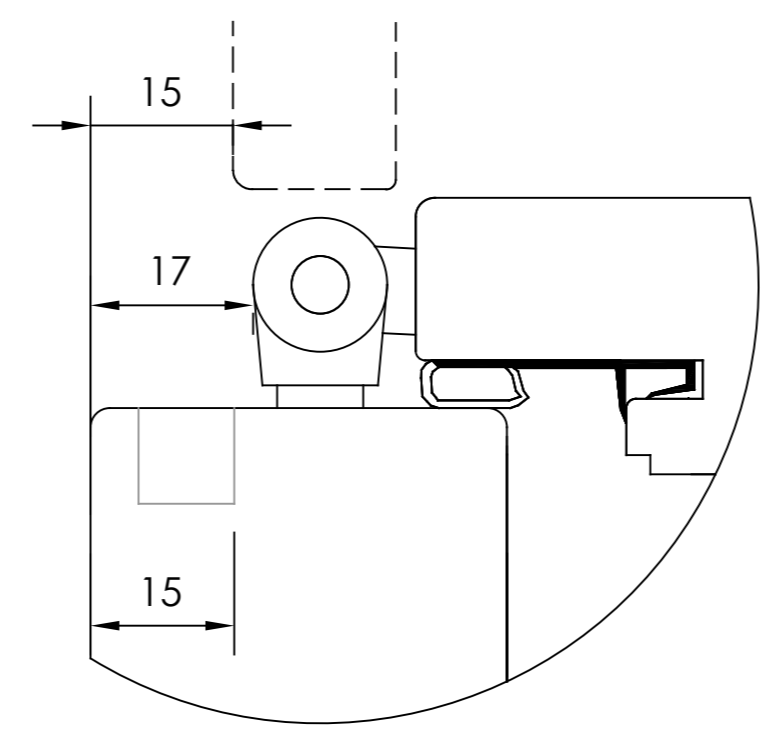
ALL AROUND OPTION
- Internal slot (not for exterior kipp-dreh).



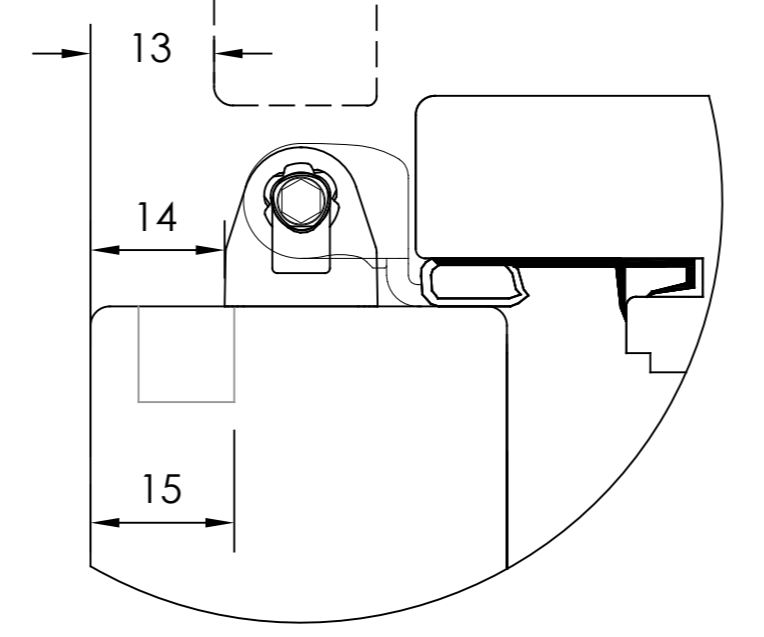
MAIN VERTICAL CROSS SECTION



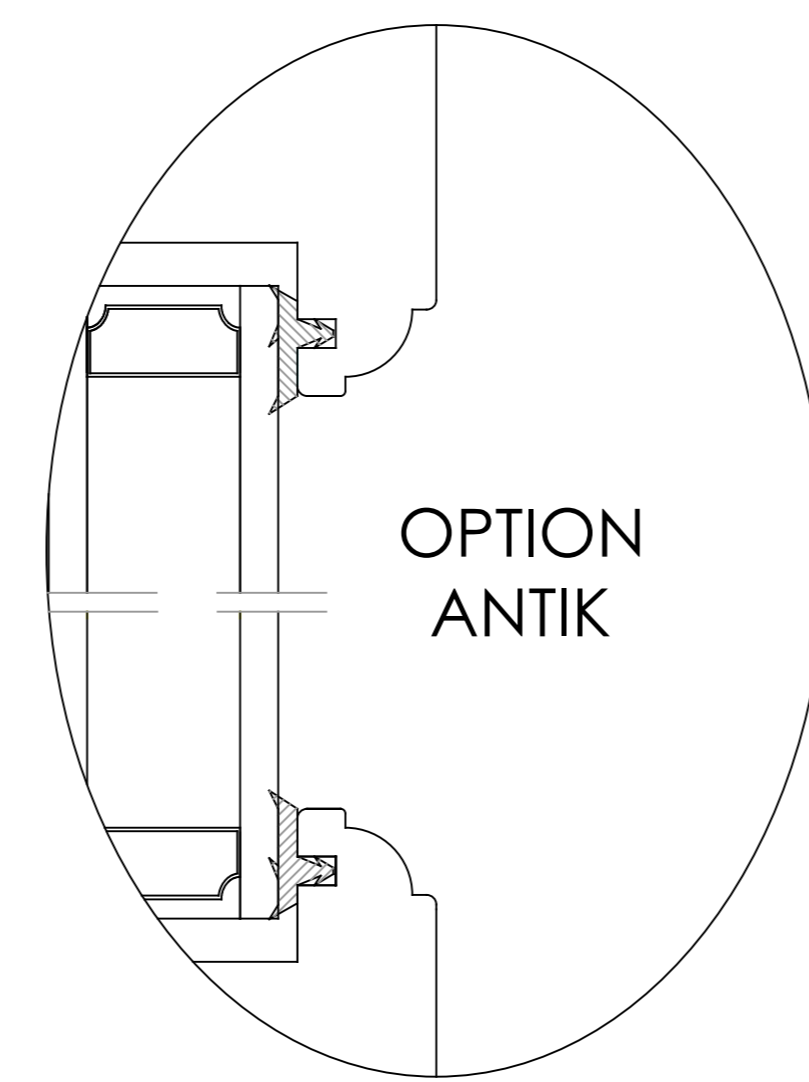
MAIN VERTICAL CROSS SECTION



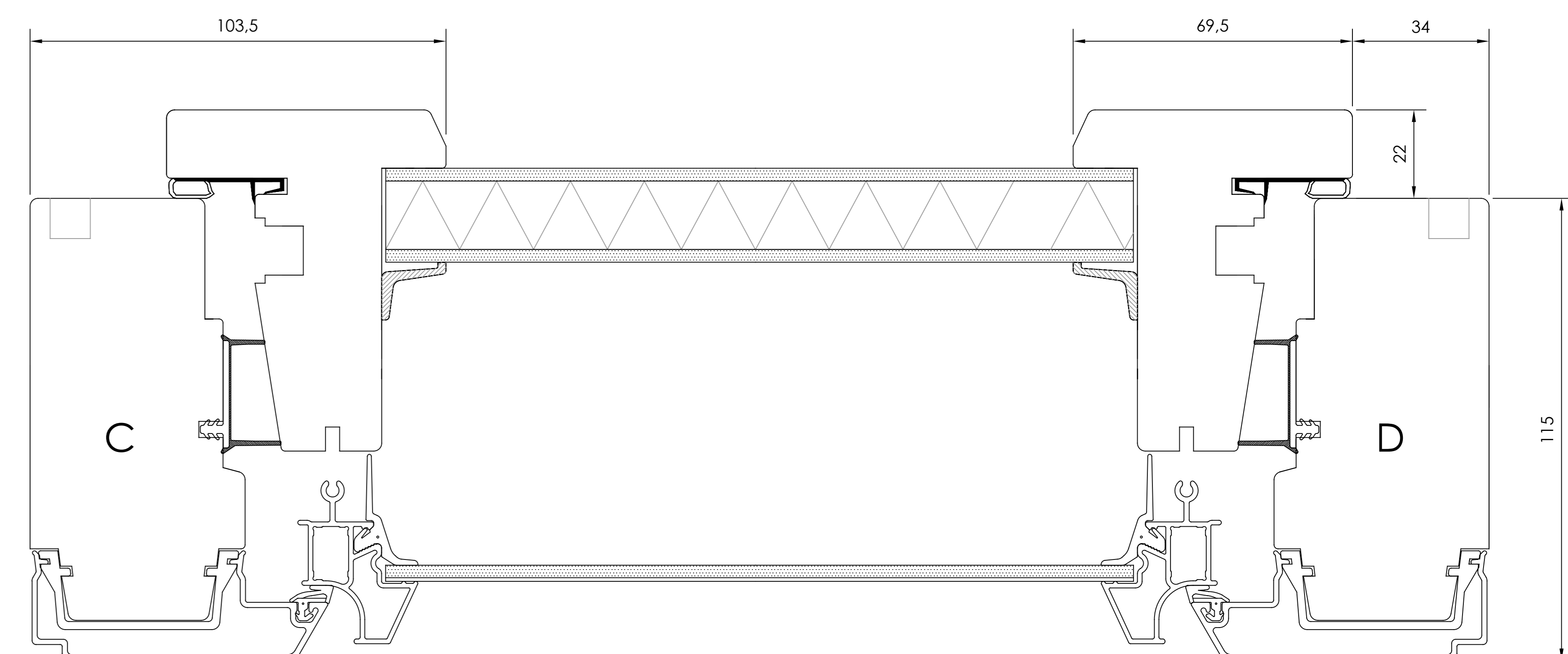
- Exterior hinges



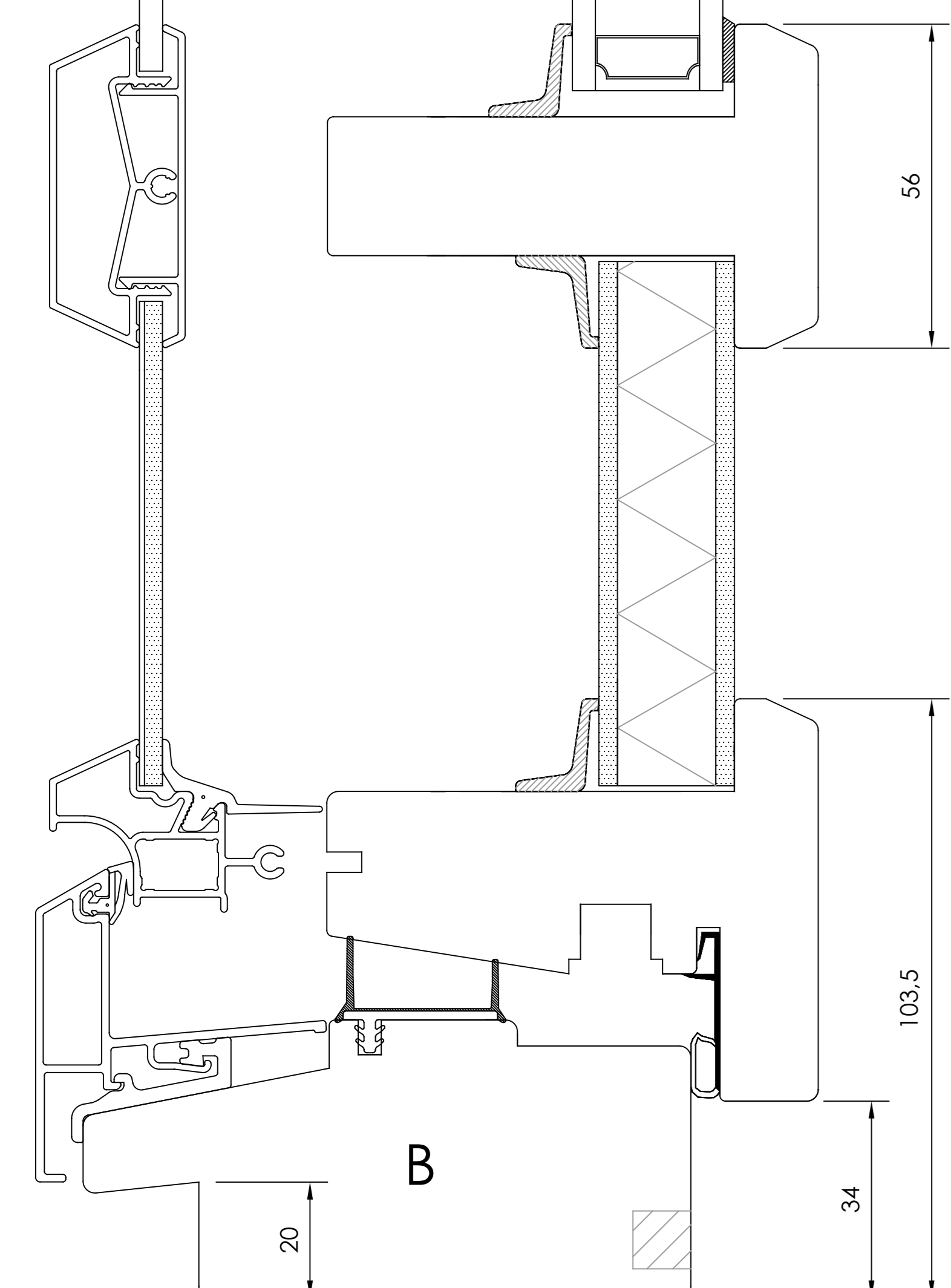
- Kipp-dreh hinges



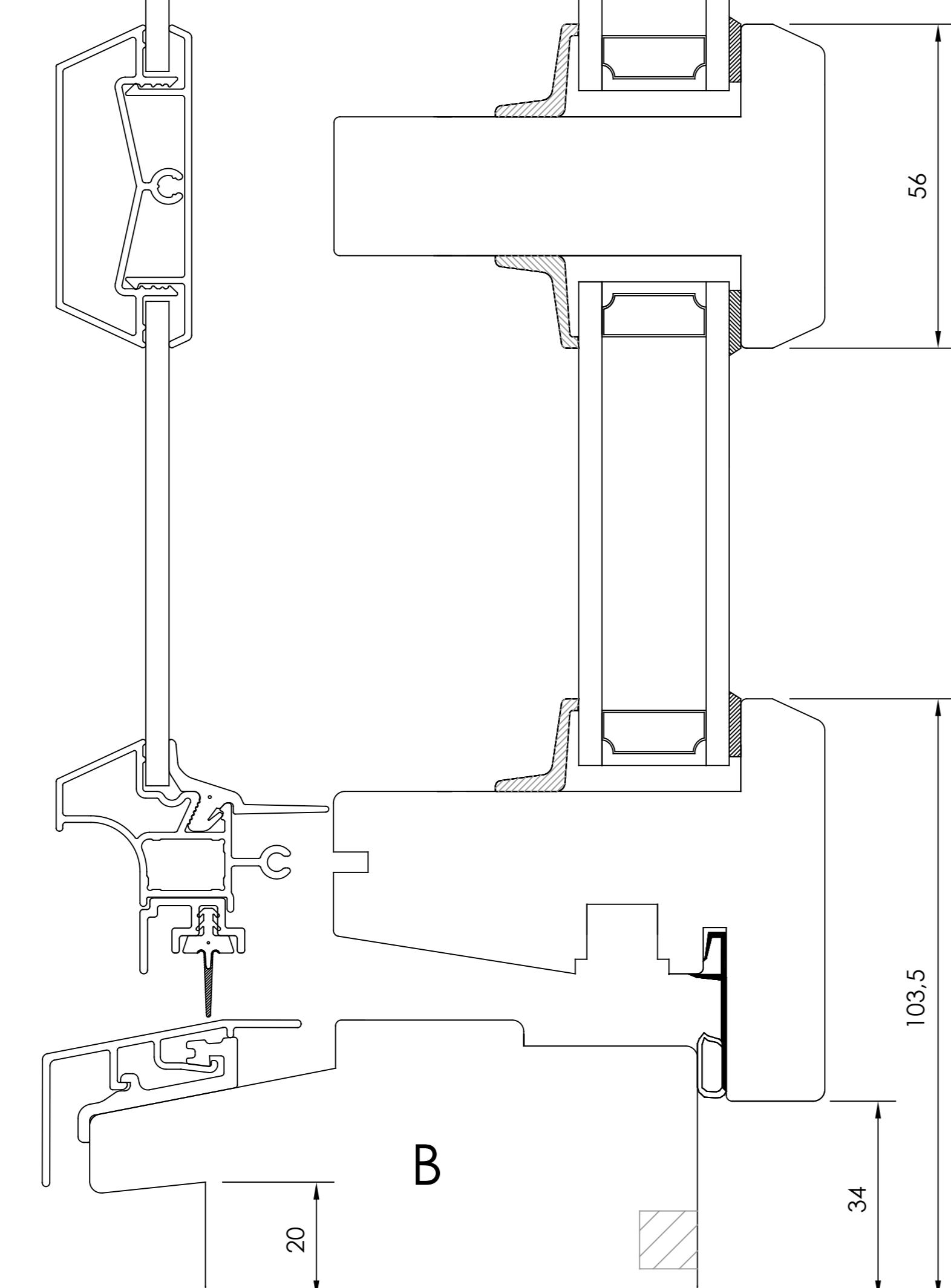
OPTION ANTIK



MAIN HORIZONTAL CROSS SECTION

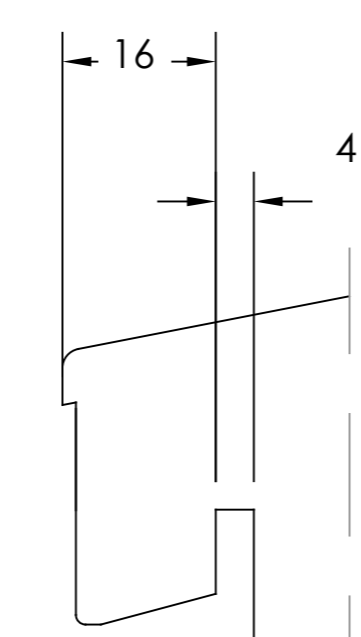


Default threshold



Low threshold

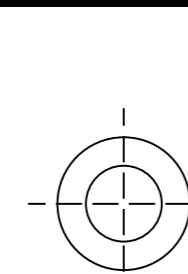
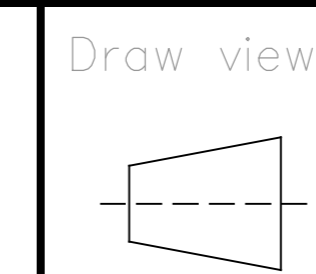
VERTICAL CS OPTION
- Norwegian nose.



CS = CROSS SECTION

Item	No.	Description	Drawingnumber	Articlenumber
Revision notification			Revised by	Revised date
Revision description				
Description			Created by	Created date
Patio door, Inward opening 2+1 ECO			TE	2020-08-04
Material			General tolerance acc. to ISO2768-1	Processing code
Included in product		Included in product family	Article number	
Inward		Side Hung, Tilt & Turn		

INWIDO
Great Windows & Doors



1:2

A3

40-37-W54

(A)